



Scan to Watch Assembly Video  
or go to [antennasdirect.com/assembly-videos](http://antennasdirect.com/assembly-videos)

Quick Start Assembly/Installation Instructions

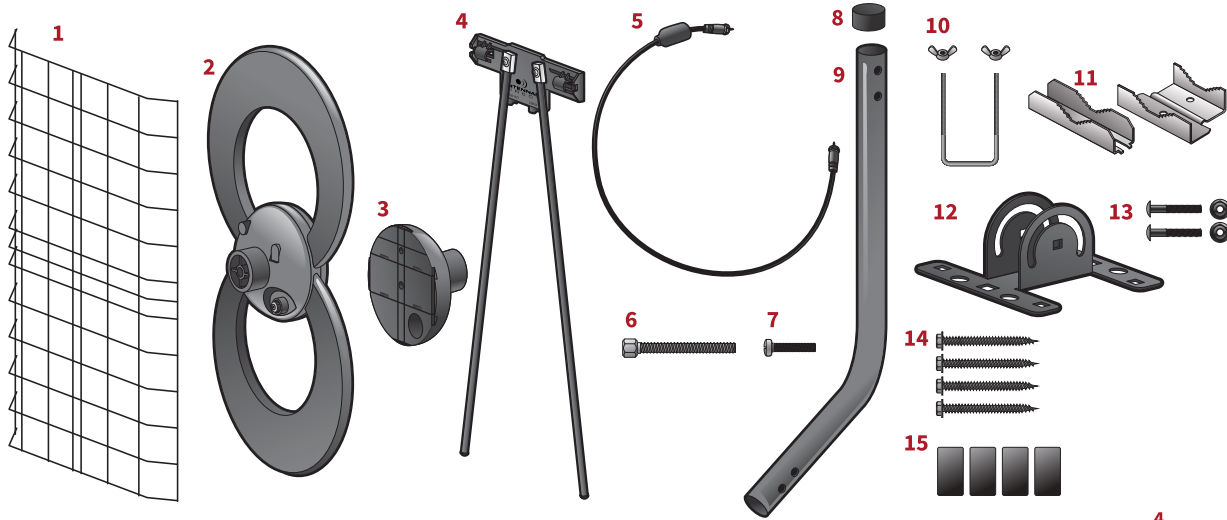
# CLEARSTREAM™ 2V

Before beginning assembly, make sure all parts needed are present.

Coaxial cable sold separately.

## READ BEFORE INSTALLATION:

Before permanently attaching the antenna to any surface, TEST RECEPTION in that area. Connect the antenna to the TV or converter box and run a full channel scan. If reception is not as desired, move the antenna and rescan for the available channels.



## The ClearStream 2V comes with:

- 1) Reflector
- 2) Antenna Element
- 3) Antenna Base
- 4) VHF Kit
- 5) 12" Coaxial Cable with Weather Boot
- 6) 3 1/2" Bolt
- 7) 1 3/8" Threaded Bolt
- 8) Mast End Cap
- 9) Mast
- 10) U-Bolt and Wing Nuts
- 11) Mast Clamp and Back Plate
- 12) Mast Base
- 13) 2 - 40 mm Hex Bolts and Nuts
- 14) 4 - 50 mm Screws
- 15) 4 - Sealing Pads

## SET UP ANTENNA:

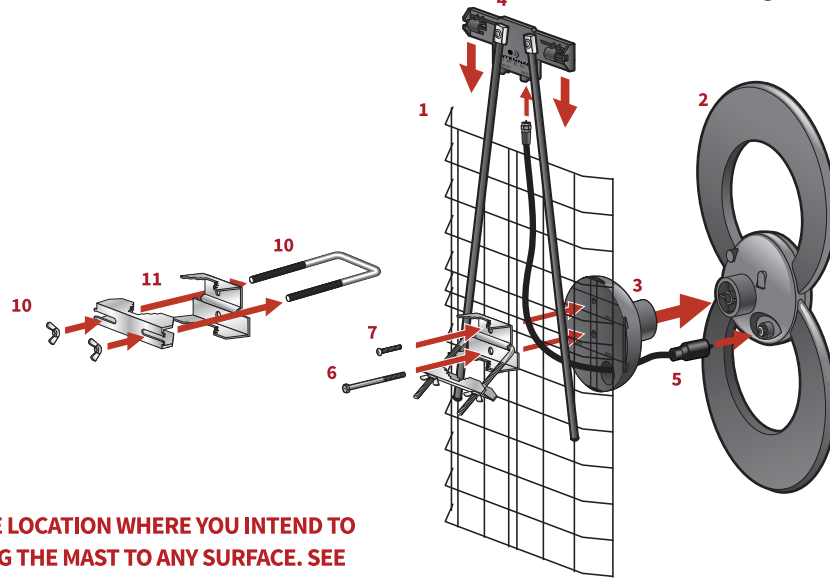
Required: Coaxial cable (sold separately), Adjustable wrench, Power drill, 3/16" Drill bit, 8 and 10 mm Ratcheting drivers, and a #2 Phillips screwdriver.

## INSTALLATION ON MAST:

Attach the Antenna Base (3) to the Reflector (1) and snap securely into place. Use the 3 1/2" Bolt (6) and the 1 3/8" Threaded Bolt (7) to connect the mounting hardware (10 and 11), the Antenna Base (3), and the Antenna Element (2) as shown.

Attach the VHF Kit (4) to the back of the Reflector (1) on the first and second bars. Push down until the VHF Kit (4) snaps securely into place.

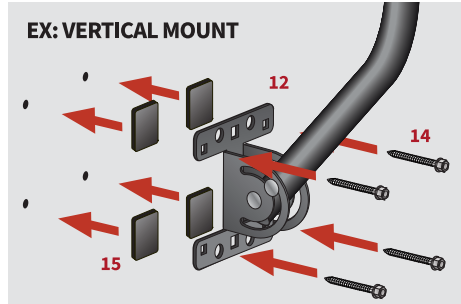
Connect the 12" Coaxial Cable (5) end with the Weather Boot to the Antenna Element (2) and slide the Weather Boot over the connection. Connect the other end of the 12" Coaxial Cable (5) to the "UHF IN" port on the VHF Kit (4).



## MAST MOUNTING HARDWARE INSTALLATION:

Attach the Mast (9) to the Mast Base (12) with the Hex Bolts and Nuts (13). Add the Mast End Cap (8) to the Mast (9).

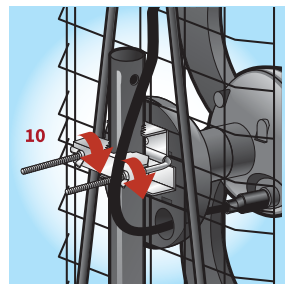
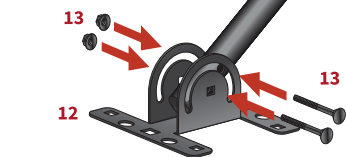
**IMPORTANT: CHECK THE RECEPTION IN THE LOCATION WHERE YOU INTEND TO INSTALL THE ANTENNA PRIOR TO ATTACHING THE MAST TO ANY SURFACE. SEE "SCANNING FOR CHANNELS" IN THE TROUBLESHOOTING GUIDE.**



**NOTE: Mast is designed to pivot for vertical or horizontal surfaces.**

Mark the Mast Base (12) position on the desired surface and drill pilot holes, 1 1/2" deep, for each of the 50 mm Screws (14).

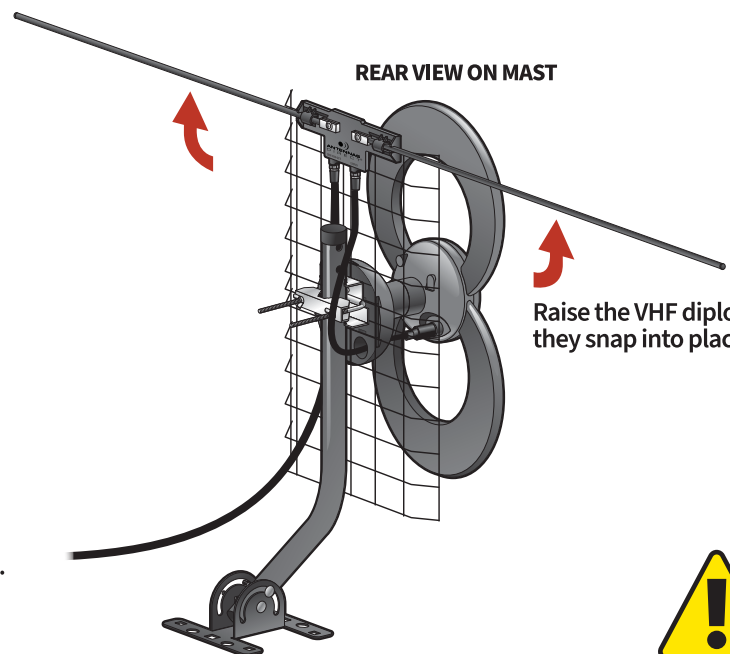
Place the Sealing Pads (15) over the pilot holes, and the Mast Base (12) on top of the Sealing Pads. Tighten the 50 mm Screws (14) to secure the Mast Base (12) to the surface.



Before installing the antenna on the Mast (9), adjust the mast so it is in a vertical position. You will need to adjust the antenna after it is mounted for the best reception.

Install the antenna on the Mast (9) by positioning the Mast Clamp (11) around the Mast (9). Tighten the Wing Nuts (10) to secure the antenna to the Mast (9).

Connect one end of a coaxial cable (sold separately) to the "UHF/VHF OUT" port on the VHF Kit (4) and connect the other end to your TV or converter box.



Raise the VHF dipoles (4) until they snap into place.



Warning! Keep Away from Power Lines.

## INSTALLATION WITHOUT MAST:

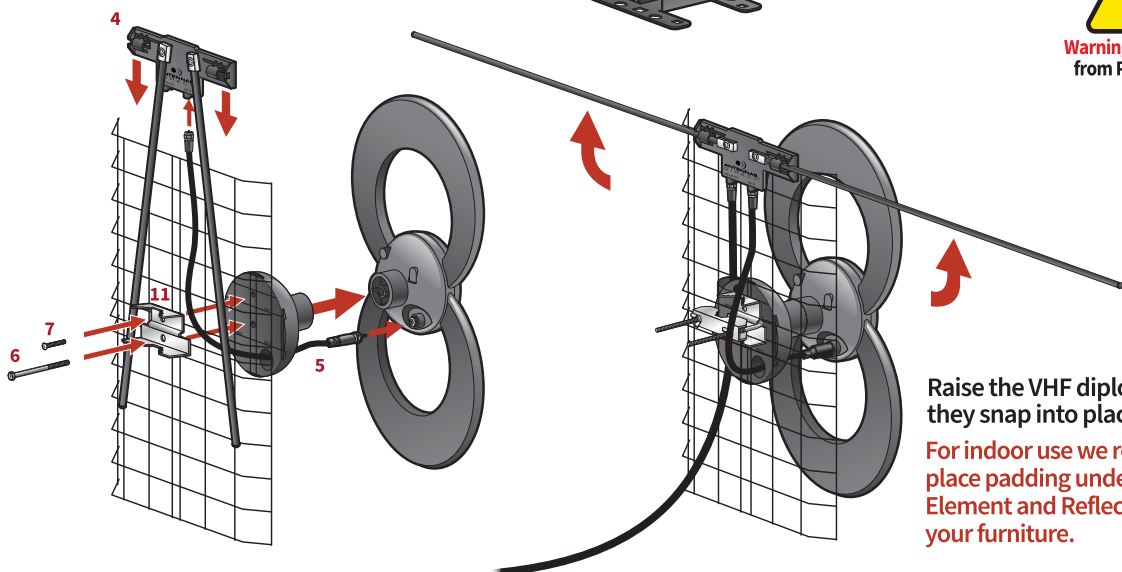
For tabletop use, follow the directions below for installation without the mast.

For use without the Mast, use the large Mast Clamp (11), the 3 1/2" Bolt (6) and the 1 3/8" Threaded Bolt (7) as shown.

Attach the VHF Kit (4) to the back of the Reflector (1) on the first and second bars. Push down until the VHF Kit (4) snaps securely into place.

Connect the 12" Coaxial Cable (5) end with the Weather Boot to the Antenna Element (2) and slide the Weather Boot over the connection. Connect the other end of the 12" Coaxial Cable (5) to the "UHF IN" port on the VHF Kit (4).

Connect one end of a coaxial cable (sold separately) to the "UHF/VHF OUT" port on the VHF Kit (4) and connect the other end to your TV or converter box.



Raise the VHF dipoles (4) until they snap into place.

For indoor use we recommend you place padding under the Antenna Element and Reflector to protect your furniture.



Now that you've installed your antenna, you are ready to scan for channels. See "Scanning for channels" in the troubleshooting guide.

Congratulations! You're watching HDTV for FREE! Welcome to the Antennas Direct cord-cutting family.

TV RECEPTION CAN BE AFFECTED BY OBSTRUCTIONS OR DISTANCE BETWEEN YOUR HOME AND BROADCAST TOWERS.



Call us toll-free for technical assistance at 1-877-825-5572 or contact [support@antennasdirect.com](mailto:support@antennasdirect.com)

FIND TV CHANNELS, AIM YOUR ANTENNA

antenna point

DOWNLOAD OUR FREE APP

## TROUBLESHOOTING:

### Problem: I'm not getting any signals at all.

#### Possible causes:

1. Analog-only televisions (manufactured before 2007) require a digital converter box. You MUST perform a channel scan on the converter box.
2. **SCANNING FOR CHANNELS:** A digital TV must be programmed in order to receive digital channels. Once your antenna is installed, you must complete a channel scan, even if you have done so before installing to find the best location for the antenna.
  - a) Your TV must be set to the proper input source. Press the "Input" (or "Source") button on your remote and make sure the input is set to TV.
  - b) Follow the instructions specific to the make and model of your television or converter box to set the signal type to "ANTENNA", "AIR", or "BROADCAST", **not "Cable"**.
  - c) Go to the main menu of your TV or converter box and complete a channel scan. This could be listed as "Auto Program", "Auto Tuning", or "Auto Channel Scan". Consult the owner's manual for your specific device and more precise guidelines. Be ready to experiment with various locations in your home. Remember to rescan for channels in every location.
3. Make sure the front of the antenna is facing the broadcast tower locations serving your area. Visit [www.antennapoint.com](http://www.antennapoint.com) for more information on broadcasters and tower locations serving your area, or download the **free Antenna Point app** to your Android/iOS smartphone or tablet.
4. **Outdoor Use:** You do not have a clear line of sight to your local broadcast towers. You might need to elevate and/or move your antenna. Make certain the antenna is not aimed into physical obstacles such as a roof, building, or trees. Remember to rescan for channels in every location.
5. You are outside the range of your antenna's capabilities. Depending upon the distance between your home and the local broadcast towers, you may need a longer range outdoor/attic antenna. Antennas Direct offers many models for this purpose.

6. You may have loose coaxial cable connections. Check ALL connections for a tight fit and check all outdoor connections for moisture or corrosion.
7. **Indoor Use:** Building materials such as brick, metal siding, radiant barrier, or stucco can greatly reduce the incoming signal. If in an attic, move the antenna outdoors. If outdoors, make certain the antenna is not aimed into physical obstacles, such as buildings, trees, or a hill. Remember to rescan every time you move your antenna.

### Problem: I'm receiving every channel except for one.

#### Possible cause:

1. You may need to rescan the TV tuner or converter box. The channel you are not receiving may have its transmitter lower on the broadcast tower or on a different tower than the other transmitters and your line of sight is obstructed. Try elevating the antenna or moving it to another location. Repeat as needed.

### Problem: I'm having signal breakups, but I'm only two miles from the broadcast tower.

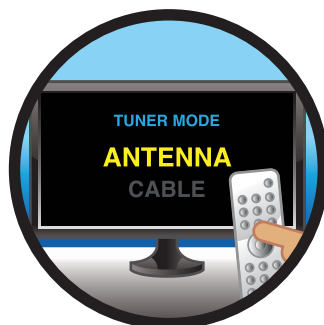
#### Possible cause:

1. Your TV may be receiving interfering signals. A larger/stronger antenna will not necessarily solve this problem. Consider moving the antenna, making sure it is not placed near metal objects or other antennas. If this is not successful, your signal may be too strong and may require the use of an attenuator. Call our helpline or chat with us online at [antennasdirect.com](http://antennasdirect.com) for an analysis of your area and installation. We may be able to offer simple solutions.

## Before You Return, Call to Learn.



For Tower Locations:  
[antennapoint.com](http://antennapoint.com)



Input on Antenna Mode



Scanning is a Must  
When in Doubt, Rescan

# HELPLINE: 1-877-825-5572

MODEL # C2-V-CJM

### Antennas Direct™ Inc. Antenna Lifetime Warranty

Antennas Direct™ Inc. warrants this product against any defects in materials or workmanship for as long as you own the product. No warranty claim will be honored unless, at the time the claim is made, you present proof of purchase from an authorized Antennas Direct™ Inc. dealer.

Antennas Direct™ Inc. will either repair or replace the defective product at no charge to you. This warranty covers parts but does not cover any costs incurred in the removal or reinstallation of the product. This limited warranty does not apply if the product is damaged or fails due to: misuse, improper installation, abuse, and modification of the product as originally manufactured by Antennas Direct.

Antennas Direct™ Inc. will not assume any liabilities for any other warranties expressed or implied by any other person. The foregoing shall be the sole and exclusive remedy of any person, whether in contract, tort, or otherwise, and Antennas Direct™ Inc. shall not be liable for incidental or consequential damage or commercial loss, or for any other loss or damage, as set forth above.

16388 Westwoods Business Park, Ellisville, MO 63021, USA

### Limited 90-Day Warranty Mast

Antennas Direct™ Inc. warrants this product against any defects in materials or workmanship for ninety (90) days. No warranty claim will be honored unless, at the time the claim is made, you present proof of purchase from an authorized Antennas Direct™ Inc. dealer.

Antennas Direct™ Inc. will either repair or replace the defective product at no charge to you. This warranty covers parts but does not cover any costs incurred in the removal or reinstallation of the product. This limited warranty does not apply if the product is damaged or fails due to: misuse, improper installation, abuse, and modification of the product as originally manufactured by Antennas Direct.

Antennas Direct™ Inc. will not assume any liabilities for any other warranties expressed or implied by any other person. The foregoing shall be the sole and exclusive remedy of any person, whether in contract, tort, or otherwise, and Antennas Direct™ Inc. shall not be liable for incidental or consequential damage or commercial loss, or for any other loss or damage, as set forth above.

16388 Westwoods Business Park, Ellisville, MO 63021, USA

©Antennas Direct  
Model # C2-V-CJM  
12.2024

TV RECEPTION CAN BE AFFECTED BY OBSTRUCTIONS OR DISTANCE  
BETWEEN YOUR HOME AND BROADCAST TOWERS.



Call us toll-free for technical assistance at **1-877-825-5572**  
or contact [support@antennasdirect.com](mailto:support@antennasdirect.com)

FIND TV CHANNELS, AIM YOUR ANTENNA

antenna point

DOWNLOAD OUR FREE APP